

# SONNY SWIVEL CHAIR

DESIGNED + MADE IN NEW ZEALAND

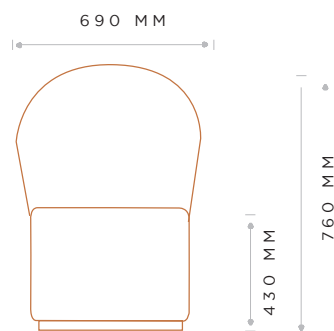
SONNY

There are many good reasons to buy a swivel chair – in particular, the ease of movement.

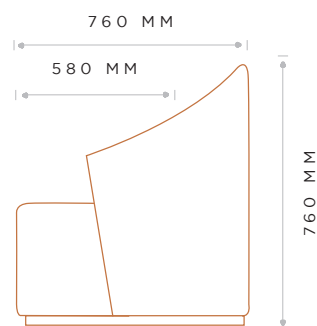
The Sonny Swivel Chair features a self-correcting swivel base, it can easily pivot to face a spectacular view or multiple areas in the home. In a difficult space a swivel can be a very pragmatic choice. Our Sonny Swivel Chair is dressed in vintage white Alpaca Velvet to add interest to any space.

## MEASUREMENTS

### FRONT



### SIDE



DESIGNED + MADE IN NEW ZEALAND

## DIMENSIONS

---

LENGTH	DEPTH (FRAME)	HEIGHT (BACK)	DEPTH (SEAT)	HEIGHT (SEAT)	HEIGHT (ARM)
690 MM	760 MM	760 MM	580 MM	430 MM	650 MM

---

LEG INFORMATION: Swivel base

LEG COLOUR/FRAME: 40mm Leg Height - Black

---

## FABRIC

---

2.9M PLAIN

3.5M PATTERN

2.7M RAILROAD

5.5SQM LEATHER

---



## MAINTENANCE

---

Made to last, our frames are covered by a 10 year manufacturing warranty

## CARE

---

Heavy duty fabric  
Do not bleach fabric  
Do not tumble dry

[INFO@DAVIDSHAW.CO.NZ](mailto:INFO@DAVIDSHAW.CO.NZ)

0800 847 848

[WWW.DAVIDSHAW.CO.NZ](http://WWW.DAVIDSHAW.CO.NZ)